



VHF MARINE TRANSCEIVERS

# IC-M323G

(With GPS Receiver)

# IC-M323

(Without GPS Receiver)

## Top Performance, Great Value



**GPS**  
INTEGRATED  
GPS RECEIVER  
(IC-M323G only)

IC-M323G Black Version



**Built-in GPS Receiver Simplifies Installation**  
(IC-M323G only)



**AquaQuake™  
Draining Function**



**Icom Marine Family User Interface**



**MA-500TR AIS Transponder  
Compatible**



**High-Definition Dot-Matrix Display**



**MarineCommander™ Compatible**



**Meets Latest Class D  
DSC Specifications**



**IPX7 Waterproof**  
1m Depth of Water for 30 Minutes



**Common NMEA Interface**  
For External GPS/NAV Connection



IC-M323 Super White Version

**Built-in GPS Receiver (IC-M323G only)**

The built-in GPS receiver shows your current position and time and can be used for DSC calls. GPS data source is selectable from internal and external GPS (and GPS-OFF setting).

**Intuitive User Interface**

Icom's common Marine Family User Interface provides simple operation for the boat owner. A rotary selector and directional keypad provide intuitive operation. The high-definition dot-matrix display allows all information to be clearly viewed.

**Built-in Class D DSC**

The built-in DSC watch function monitors Ch. 70 (DSC channel) activity, even while you are receiving another channel. DSC functions include: distress, individual, group, all ships, urgency, safety, position request/report, polling request and DSC test calls.

**IPX7 Waterproof Protection**

The IC-M323/G withstands submersion in up to 1.0m depth of water for 30 minutes. It is equivalent to the IPX7 standard.

**Common NMEA Interface**

When receiving DSC information from another vessel, the IC-M323/G can transfer it to a navigational device via NMEA 0183 connectivity.

**Compatible with MA-500TR Class B AIS Transponder**

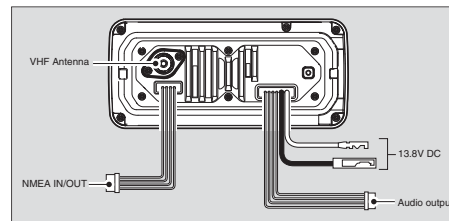
The IC-M323/G can be integrated with the MA-500TR Class B AIS Transponder, which allows you to transmit DSC individual calls to a selected vessel instantly without manual MMSI entry. It is very handy if you are waiting to contact vessels on the AIS screen - an essential safety feature in an emergency.

**Favorite Channel Function**

This function promotes quick channel selection. Set the "Tag" channel to the channels used most often. When pushing the up/down buttons on the hand microphone, only the tagged channels are selected, while untagged channels are skipped.

**And More**

- MarineCommander™ compatible
- AquaQuake™ water draining function
- Dual/tri-watch function for monitoring Ch.16 and/or call channel
- Black and super white versions available



**OPTIONS**



**SPECIFICATIONS**

| GENERAL  |                                |  |
|--|--------------------------------|--|
| Frequency range                                  | Tx<br>Rx<br>CH70               | 156.000–161.450MHz<br>156.000–163.425MHz<br>156.525MHz |
| Usable channels                                  |                                | INT, USA* channels<br>* Available depending on version |
| Type of emission                                 |                                | 16K0G3E (FM), 16K0G2B (DSC)                            |
| Power supply requirement                         |                                | 13.8V DC nominal<br>(10.8–15.6V DC)                    |
| Current drain                                    | Tx 25W output<br>Rx Max. audio | 5.5A<br>1.5A   |
| Operating temperature range                      |                                | –20°C to +60°C   |
| Antenna impedance                                |                                | 50Ω (SO-239)   |
| Dimensions (W×H×D)<br>(projections not included) |                                | 180×82×119.9mm   |
| Weight (approx.)                                 |                                | 1.2kg  |
| NMEA in/out formats                              |                                | RMC, GGA, GNS, GLL,<br>DSC, DSE                        |
| TRANSMITTER                                      |                                |  |
| Output power                                     |                                | 25W, 1W  |
| Max. frequency deviation                         |                                | ±5.0kHz  |
| Frequency stability                              |                                | Less than ±1.5kHz                                      |
| Spurious emissions                               |                                | Less than 0.25µV                                       |

| RECEIVER   |             |  |
|--|-------------|--|
| Sensitivity  | Main<br>DSC | –5dBµ emf typ. (20dB SINAD)<br>–4dBµ emf typ. (1% BER) |
| Squelch sensitivity                                | Main        | Less than –2dBµ emf                                    |
| Adjacent channel selectivity                       | Main<br>DSC | More than 70dB<br>More than 73dBµ emf (1% BER)         |
| Spurious response                                  | Main<br>DSC | More than 70dB<br>More than 73dBµ emf (1% BER)         |
| Intermodulation                                    | Main<br>DSC | More than 68dB<br>More than 68dBµ emf (1% BER)         |
| Hum and noise                                      |             | More than 40dB   |
| Audio output power<br>(at 10% distortion, 4Ω load) |             | More than 2W   |

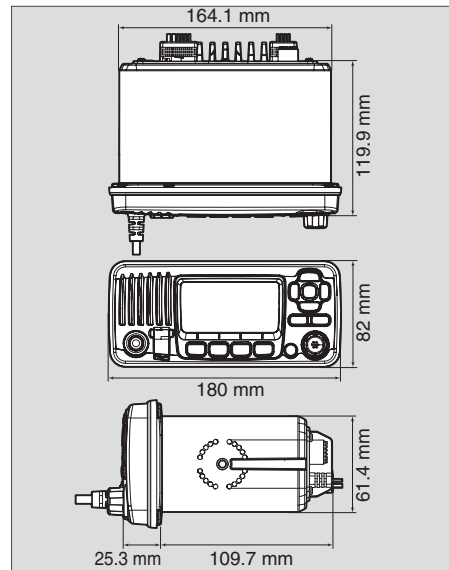
Measurements made in accordance with EN 301 025-2, -3. All stated specifications are subject to change without notice or obligation.

**Applicable IP Rating**

| Ingress Protection Standard |                              |
|-----------------------------|------------------------------|
| Water                       | IPX7 (Waterproof protection) |

**Supplied accessories:**

- Hand microphone, HM-200B/SW
- DC power cable
- Mounting bracket kit



Icom, Icom Inc. and Icom logo are registered trademarks of Icom Incorporated (Japan) in Japan, the United States, the United Kingdom, Germany, France, Spain, Russia, Australia, New Zealand and/or other countries. MarineCommander and AQUAQUAKE are trademarks of Icom Inc. (Japan). All other trademarks are the properties of their respective holders.

**Icom Inc.**

1-1-32, Kamiminami, Hirano-Ku, Osaka 547-0003, Japan Phone: +81 (06) 6793 5302 Fax: +81 (06) 6793 0013

[www.icom.co.jp/world](http://www.icom.co.jp/world)

**Count on us!**

**Icom America Inc.**

12421 Willows Road NE,  
Kirkland, WA 98034, U.S.A.  
Phone: +1 (425) 454-8155  
Fax: +1 (425) 454-1509  
E-mail: [sales@icomamerica.com](mailto:sales@icomamerica.com)  
URL: <http://www.icomamerica.com>

**Icom (Europe) GmbH**

Communication Equipment  
Auf der Krautweide 24  
65812 Bad Soden am Taunus, Germany  
Phone: +49 (6196) 76885-0  
Fax: +49 (6196) 76885-50  
E-mail: [info@icom-europe.com](mailto:info@icom-europe.com)  
URL: <http://www.icomeurope.com>

**Icom France s.a.s.**

Zac de la Plaine,  
1 Rue Brindejond des Moulinais, BP 45804,  
31505 Toulouse Cedex 5, France  
Phone: +33 (5) 61 36 03 03  
Fax: +33 (5) 61 36 03 00  
E-mail: [icom@icom-france.com](mailto:icom@icom-france.com)  
URL: <http://www.icom-france.com>

**Asia Icom Inc.**

6F No. 68, Sec. 1 Cheng-Teh Road,  
Taipei, Taiwan, R.O.C.  
Phone: +886 (02) 2559 1899  
Fax: +886 (02) 2559 1874  
E-mail: [sales@asia-icom.com](mailto:sales@asia-icom.com)  
URL: <http://www.asia-icom.com>

Your local distributor/dealer:

**Icom Canada**

Glenwood Centre #150-6165  
Highway 17A, Delta, B.C.,  
V4K 5B8, Canada  
Phone: +1 (604) 952-4266  
Fax: +1 (604) 952-0090  
E-mail: [info@icomcanada.com](mailto:info@icomcanada.com)  
URL: <http://www.icomcanada.com>

**Icom Spain S.L.**

Ctra. Rubi, No. 88 "Edificio Can Castanyer"  
Bajos A 08174, Sant Cugat del Valles,  
Barcelona, Spain  
Phone: +34 (93) 590 26 70  
Fax: +34 (93) 589 04 46  
E-mail: [icom@icomspain.com](mailto:icom@icomspain.com)  
URL: <http://www.icomspain.com>

**Icom (Australia) Pty. Ltd.**

Unit 1 / 103 Garden Road,  
Clayton, VIC 3168 Australia  
Phone: +61 (03) 9549 7500  
Fax: +61 (03) 9549 7505  
E-mail: [sales@icom.net.au](mailto:sales@icom.net.au)  
URL: <http://www.icom.net.au>

**Icom Brazil**

Rua Itororó, 444 Padre Eustáquio  
Belo Horizonte MG,  
CEP: 30720-450, Brazil  
Phone: +55 (31) 3582 8847  
Fax: +55 (31) 3582 8987  
E-mail: [sales@icombrasil.com](mailto:sales@icombrasil.com)

**Icom (UK) Ltd.**

Blacksloe House, Altira Park,  
Herne Bay, Kent, CT6 6GZ, U.K.  
Phone: +44 (0) 1227 741741  
Fax: +44 (0) 1227 741742  
E-mail: [info@icomuk.co.uk](mailto:info@icomuk.co.uk)  
URL: <http://www.icomuk.co.uk>

**Icom New Zealand**

39C Rennie Drive, Airport Oaks,  
Auckland, New Zealand  
Phone: +64 (09) 274 4062  
Fax: +64 (09) 274 4708  
E-mail: [inquiries@icom.co.nz](mailto:inquiries@icom.co.nz)  
URL: <http://www.icom.co.nz>